



The Best Angle for Immersive Gaming

Free Style Curved Gaming Monitor Arm



FOR STYLISH LIVING

aavara



Official Website

Curved
≤49"

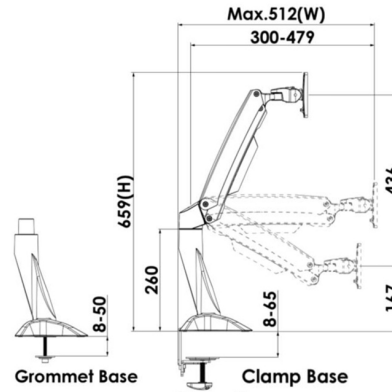
7.5-14.5 kg/16.53-32 lbs

Monitor
≤49"

12-19kg/26.5-41.9lbs

Curved Gaming Monitor Stand -2 Pivot

GS110C

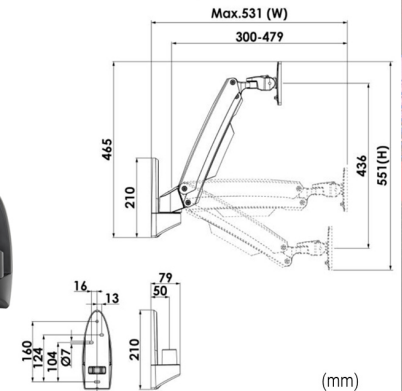


Grommet Base

Clamp Base

Combo pack Clamp+Grommet Base

GW110C

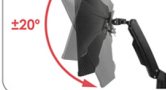


(mm)

VESA

100x100
75x75(mm)

Tilt



Quick Attacch



Rotation 360°



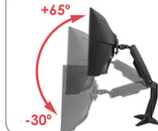
Arm Swivel



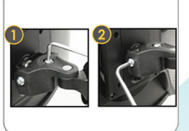
Cable Management



Height Adjust



Expertorque™



Spec.

► Curved Monitor Support

Load Capacity: 7.5~14.5kg

16.5~ 32 lbs

49" 32:9

38"/34"/33"/30" 21:9

32" 16:9

► Flat Monitor Support

Load Capacity: 12~19Kg/ 26.5~41.9lbs

Size: ≤ 49"

► Height Adjustment: +65°(up) ~ -30°(down)

► Height Adjustment Range: 436mm /17.17"

► Swivel Angle +/- 90°

► Rotate 360°

► Smart Cable Management System

► VESA Mounting

100x100/75x75mm

► ExperTorque™ Technology For Easy Adjustment

► Both Grommet & Clamp Base included (GS110C)

Curved
≤34"

4-7.5kg/8.8- 16.5lbs

Monitor
≤34"

4-12kg/8.8-26.5lbs

Free-Style Gaming Monitor Stand

Clamp base

Grommet Base

On Wall

AC210C

AI210C

AW210C

AC110C

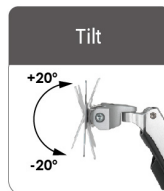
AI110C

AW110C



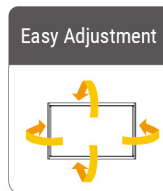
VESA

100x100
75x75(mm)

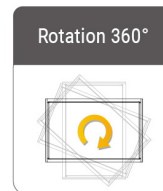


Tilt

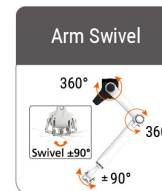
+20°
-20°



Easy Adjustment



Rotation 360°



Arm Swivel

360°
Swivel ±90°
±90°



Cable Management



Height Adjust

+65°
-30°



Expertorque™

5mm
Allen wrench

Spec.

- ▶ **Curved Monitor Support**
Load Capacity: 4~7.5Kg
Size: Up to 34" Curved

- ▶ **Flat Monitor Support**
Load Capacity: 4~12Kg
Size: Up to 34"
- ▶ **Tilt +/- 20°**
- ▶ **Swivel Angle +/- 90°**

- ▶ **Rotate 360°**
- ▶ **Smart Cable Management System**
- ▶ **Height Adjustment +65°(up) ~ -30°(down)**
- ▶ **Height Adjustment Range 315 mm/ 12.4"**

- ▶ **VESA Mounting**
100x100/75x75mm
- ▶ **Expertorque™ Technology For Easy Adjustment**



Monitor
Stand Base

49" 32:9 Curved
38"/34"/33"/30" 21:9 Curved
32" 16:9 Curved
≤ 49" Flat

34" Curved
27" Curved
24" Curved
≤ 34" Flat

Clamp Base



AC210C

AC110C

Grommet Base

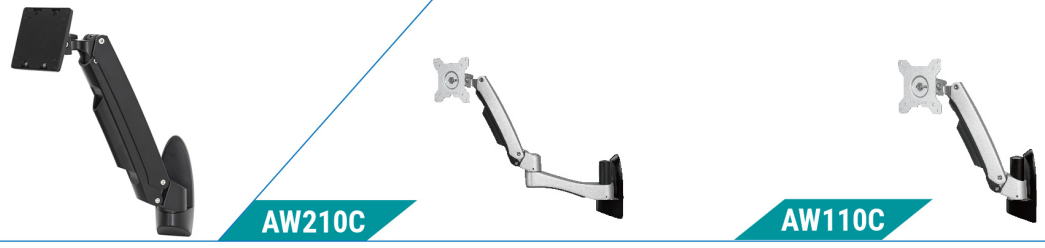


AI210C

AI110C

GS110C

On Wall



GW110C

AW210C

AW110C



Aavara Innovation Corp.
www.aavara.com sales@aavara.com

MADE IN TAIWAN. Aavara® is a registered trademark of Aavara Innovation Corp. All other trademarks and brand names remain the property of their respective owners.
© Copyright since 2006. Aavara Innovation Corp. All Rights Reserved.

